

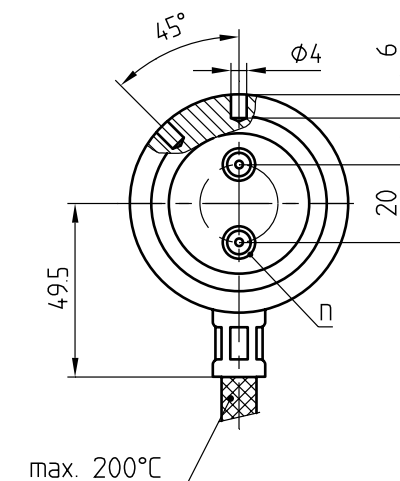
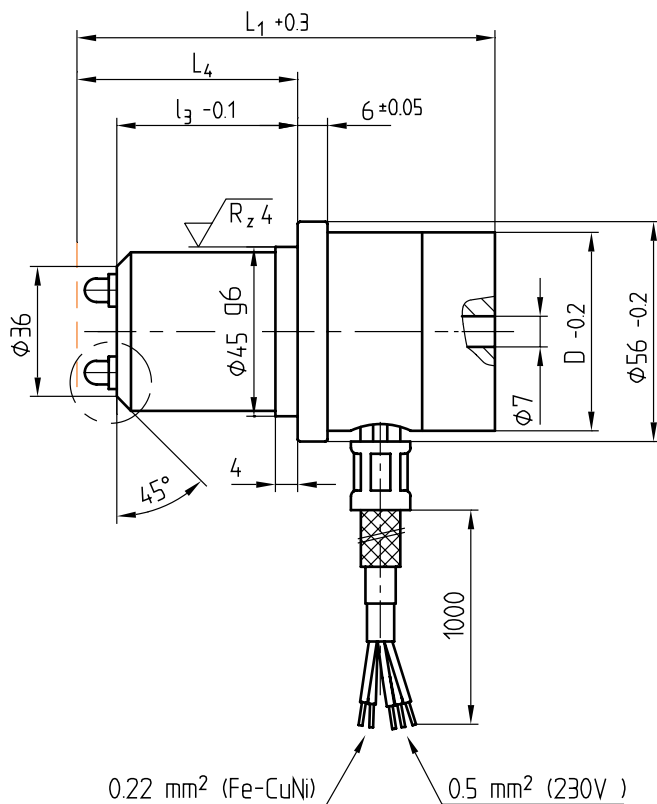
Z 103 M/2/...

230 V ~

⚡ = Fe-CuNi



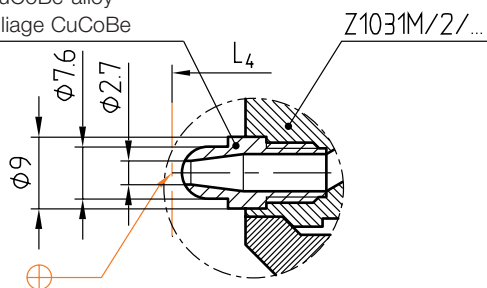
▶ Info



CuCoBe-Legierung

CuCoBe-alloy

Alliage CuCoBe



max. °C	Watt	$l_3$	$L_4$	Typ	n	D	$L_1$	Nr./No.
280	400	31	40	50x78	2	50	78	Z 103 M/2/50x78

This is trial version  
www.adultpdf.com